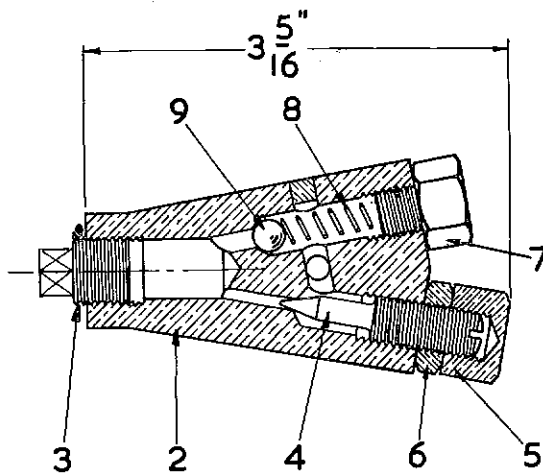
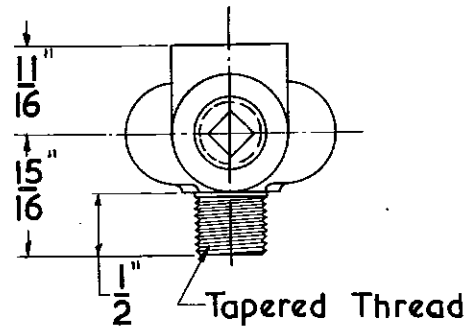
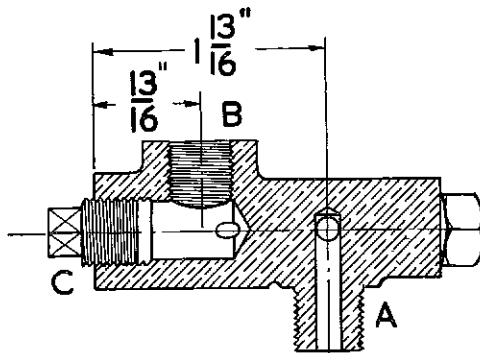


$\frac{5}{32}$ " CHECK VALVE AND CHOKE

Complete Piece No. C-7116

Weight 14 ozs.



All Pipe Connections
 $\frac{1}{4}$ " B.S.P.

Piece No.	Ref. No.	Description
C-7211	2	Body
2015	3	$\frac{1}{4}$ " B.S.P. Plug
C-7212	4	Choke Valve
C-7219	5	Choke Valve Cap Nut
C-5027	6	Choke Valve Nut
C-685	7	Check Valve Cap
18567	8	Check Valve Spring
C-4597	9	Ball Check Valve

Orders should state PIECE NUMBER and NAME of Part.

WESTINGHOUSE BRAKE (AUSTRALASIA) PTY. LTD.

Head Office and Works: Concord West, N.S.W.

Postal Address: Box 21, P.O., Burwood, N.S.W.

1950